

# LED ROUND HIGH BAY

➤ **LCG-RHB** 90W, 140W

## PRODUCT IMAGES



## APPLICATIONS

Ideal LED replacement for T5 and T8 fluorescent high bays. The RHB delivers efficient, uniform, high lumen output for high and low bay applications in industrial, retail and commercial interiors.

This energy-efficient fixture features high-performance optics which deliver clear, brighter light while using significantly less energy when compared to traditional high bay lighting.

## ELECTRICAL

70% lumen maintenance at >50,000 hours; predicted life of more than 100,000 hours. CRI: Ra>80

## SPECIFICATIONS

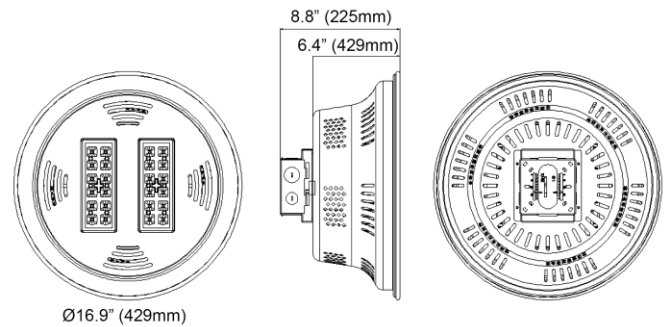
**Ordering Code Information:** Example: [LCG-RHB] - [140W] - [40K] - [U] - [WT]

Model #	Input Power	CCT	Rated Lumens	Voltage	Finish
LCG-RHB	[90W] 90W [140W] 140W	[30K] 3000K [40K] 4000K [50K] 5000K	12,300 lm 17,850 lm	[U] 110-277V [H] 347-480V AC	[WT] White

Project Name

Notes

## DIMENSIONS



## LISTINGS / CERTIFICATES

C-UL US certified to US and Canadian safety standards. Damp location listed. For use in ambient operating temperatures ranging from -40°C to 40°C.

DesignLights Consortium® (DLC) qualified product. Not all versions of this product may be DLC qualified. Please check the DLC Qualified Products List at [www.designlights.org/QPL](http://www.designlights.org/QPL) to confirm which versions are qualified. [www.nlights.org/QPL](http://www.nlights.org/QPL) to confirm which versions are qualified.



## WARRANTY

Five-Year Warranty